

iQ Single

Single glass partition with O-joint.



Wall Systems

MINIMALISM WITH OPTIMAL APPEARANCE

The iQ Single wall system is a fully glass wall solution that combines the advantages of moveable system walls with the advantages of a glass façade. A minimalist design is linked to portability and high acoustic properties. Even the door elements are minimalist and fit within the overall design.

A wide range of doors is available for the iQ Single. Each type has its own aesthetic and specific properties. This means there will always be a door that meets the requirements and wishes of the project.

iQ Single can be easily combined with other QbiQ systems and solutions. For example, with the iQ Structural double glazing wall or the iQ PRO closed wall. All together they create an attractive and efficient unit. This creates synergy in the design and tranquillity in the space.



extra.qbiqwallsystems.com/iq-single

Circularity

QbiQ system walls are designed with flexibility and adaptability in mind, which means they can be easily installed, moved and reused. This extends the lifespan of the walls and reduces the need for new materials.

When producing our system walls, the health of users and the safety of the environment are of paramount importance. We only process healthy materials that contribute to an improved study and/or working environment. Transport movements will be kept to a minimum. And it goes without saying that our production is organised as efficiently as possible in order to minimise waste of raw materials and energy.

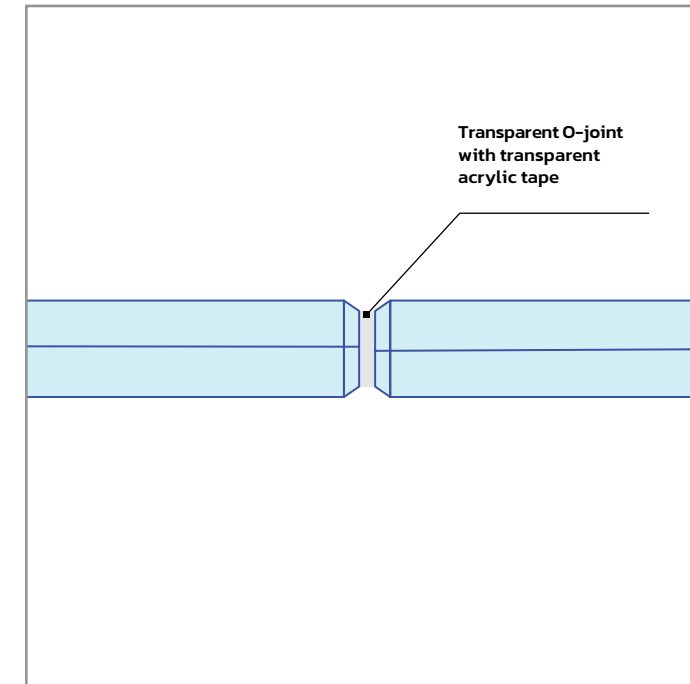
Cradle to cradle Silver

Our system walls contribute to a sustainable environment and are certified by an accredited assessor for the international Cradle to Cradle Certified® programme. The products and underlying production processes have been assessed against the following components: Material Health, Material Re-utilisation, Renewable Energy, Water Stewardship and Social Fairness. This certification guarantees that our walls are designed with reuse and circularity in mind, that energy is used consciously, that we use labour in a (socially) responsible manner, and that our products contain demonstrably non-toxic substances.

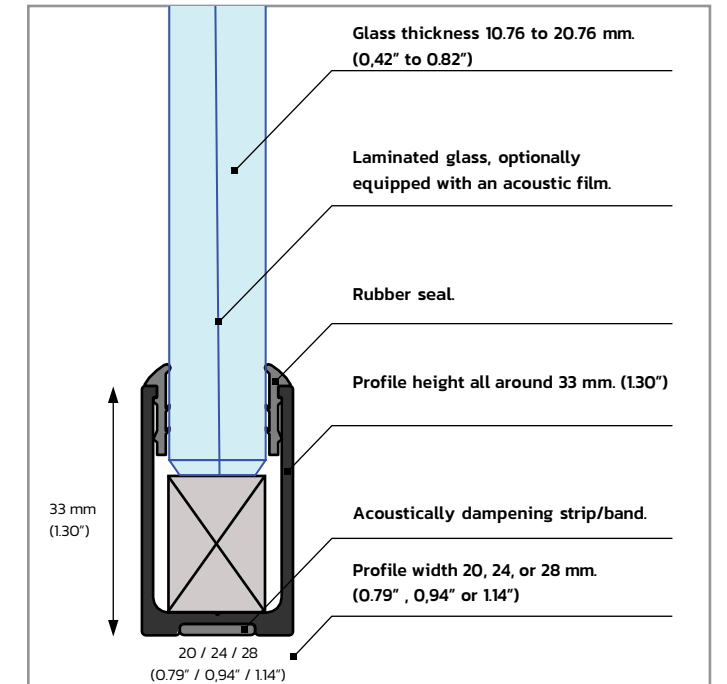
With our Cradle to Cradle Silver certified concepts, we not only offer a sustainable solution for a modern and pleasant learning and working environment, we are also contributing to the circular economy.



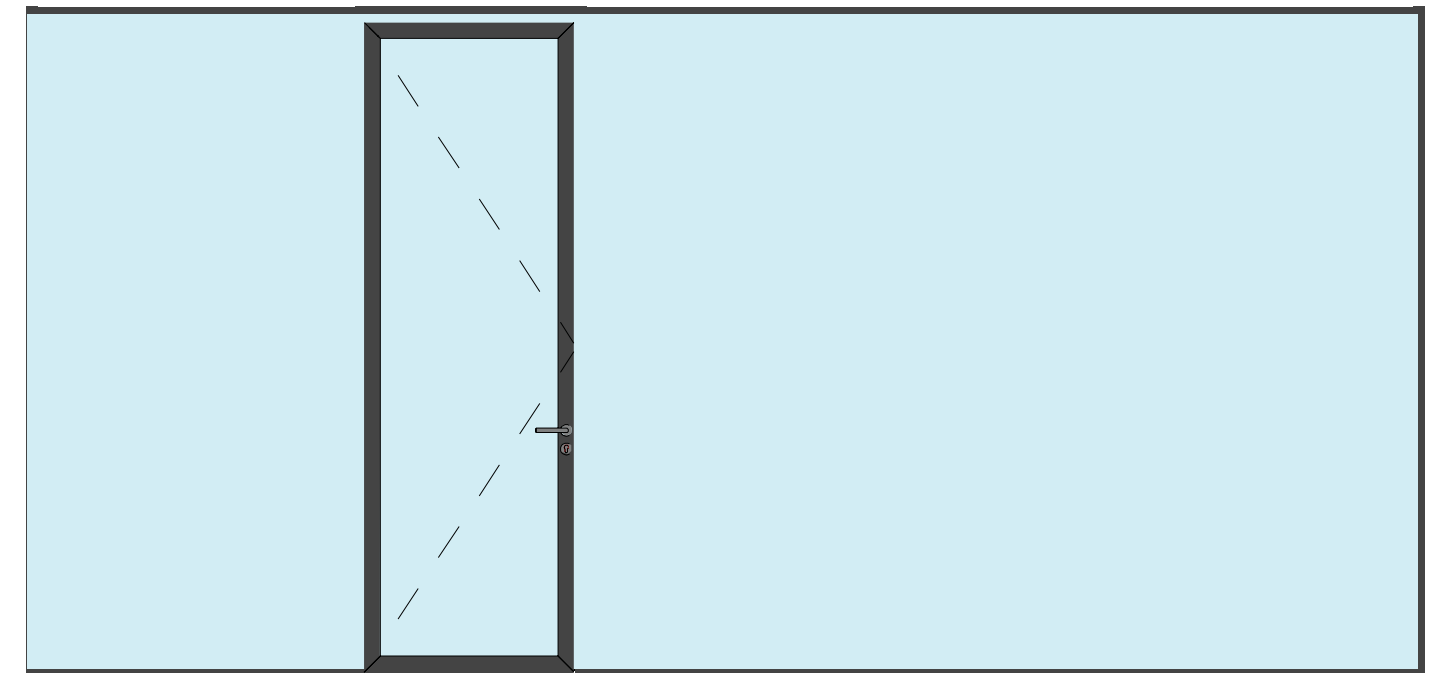
Glass system wall made from remnants of glass from the cutting process.



iQ Single section joins



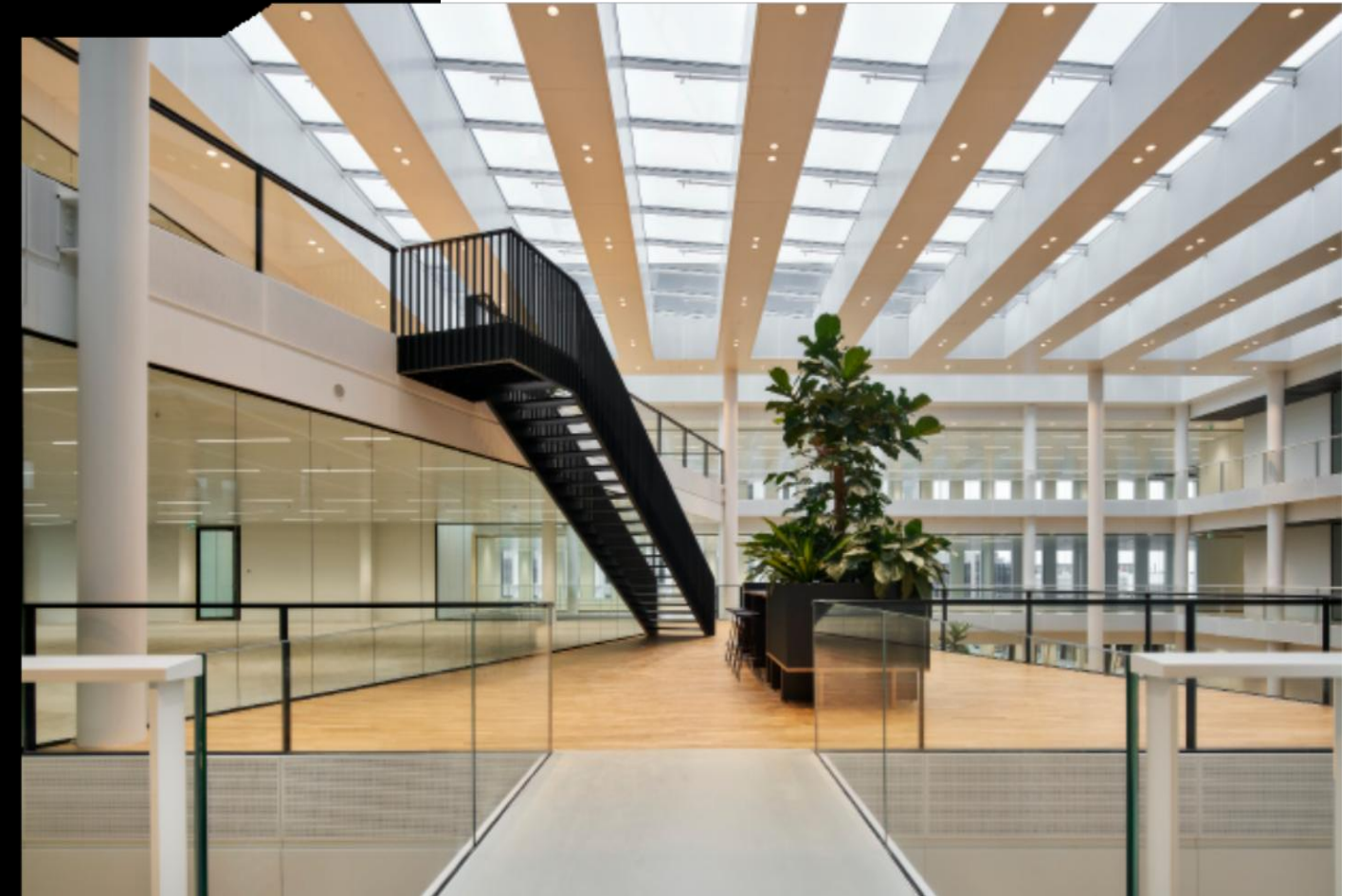
iQ Single



iQ Single wall view

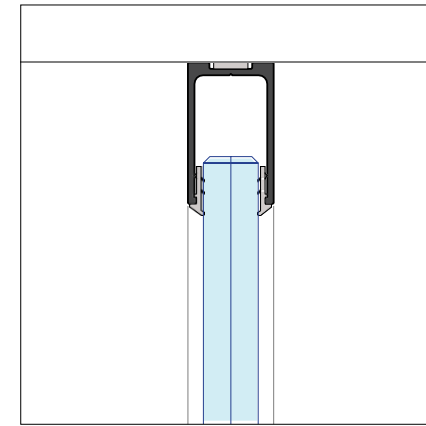
iQ Single – Specifications

Description	Single glass partition wall with O-joints.
Certification	Cradle to Cradle Silver.
Partition Thickness	20, 24 and 28 mm (0.78", 0.94" and 1.10").
Noise reduction	Rw=35dB tot Rw=42dB.
Wall element	Glass.
Glazing	Laminated single glazed, 10,76 mm to 20.76 mm thick. (0.39" to 0.81")
Modulation	900 mm (35.43"), project specifically dimensions possible.
Section Joins	Transparent O-joint.
Head Track	Flat, aluminum, 33 mm (1.30") high.
Floor Track	Flat, aluminum, 33 mm (1.30") high.
Door Frames	Aluminum, 58 mm (2.28") or 74 mm (2.91") block frame with single and/or double rabbet.
Doors	<ul style="list-style-type: none"> • Aluminum frame doors with acoustic laminated glass. • Full tempered glass. • Wooden doors with an HPL or veneer finish. • Closed steel doors.
Door mechanism	Single or double. Revolving, sliding or pivot door(s).
Colors	<ul style="list-style-type: none"> • Coated in a RAL colour gloss level 30% or 70% or fine structure. • Anodised.

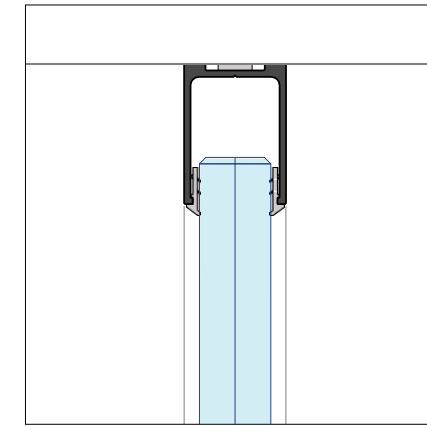




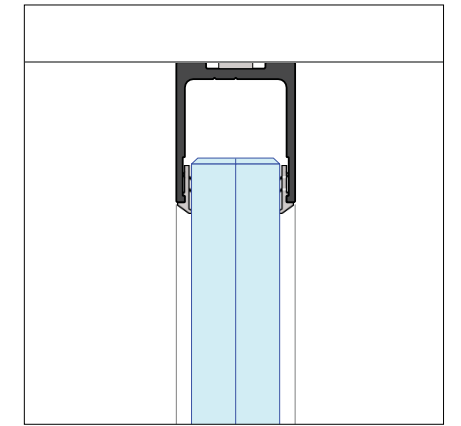
BASIC DETAILS



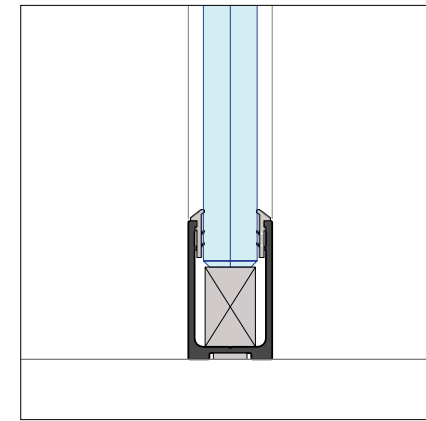
iQ Single
20 mm (0.78") ceiling connection



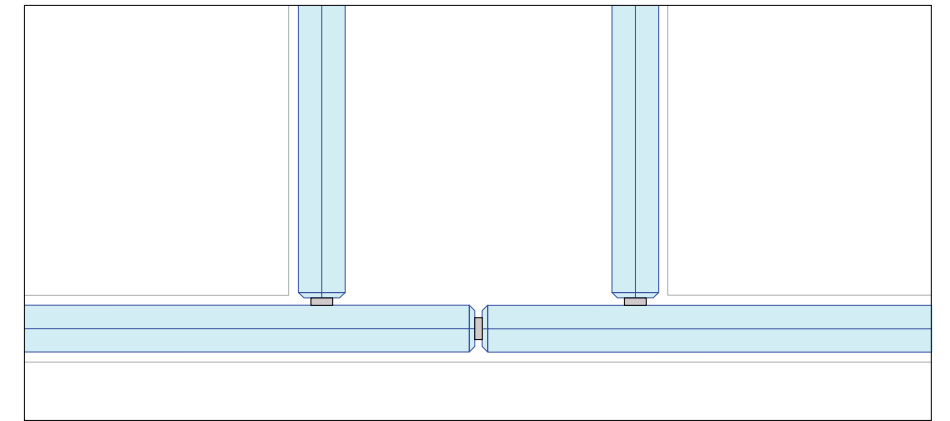
iQ Single
24 mm (0.94") ceiling connection



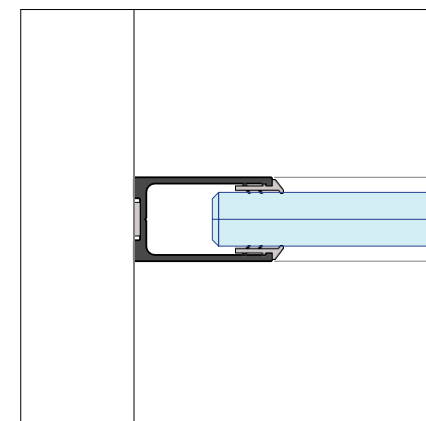
iQ Single
28 mm (1.10") ceiling connection



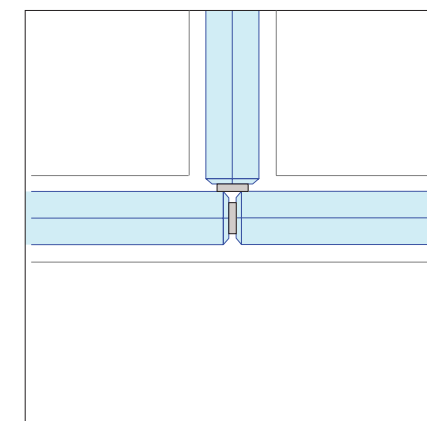
iQ Single
20 mm (0.78") floor connection



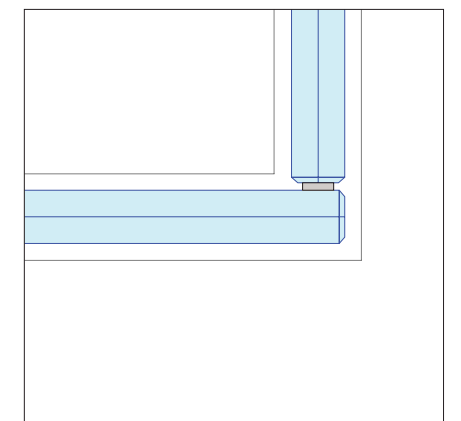
iQ Single
T-connection with iQ Structural



iQ Single
20 mm (0.78") wall connection



iQ Single
T-connection



iQ Single
20 mm (0.78") 90° corner

Range of doors

The door is an essential part of the system wall because it not only provides access to different rooms, it also contributes to the aesthetics and functionality. Doors can be made with many different materials such as wood, tempered glass, laminated glass in a frame, and steel.

Glass doors are an obvious option for optimal transparency. QbiQ aluminium frame doors are fitted with one or two layers of acoustic laminated glass. The laminated glass (6.6.a.2 or 2x 4.4.a.2) ensures the frame door performs better in terms of acoustics. Even wall-thick frame doors are possible for a wall of 100 mm. In addition to framed doors, tempered glass or closed doors in HPL, wood or steel are also available.

Almost every QbiQ door can be equipped with one and, in some types, two drop sills. A rubber seal comes out of the bottom of the door and presses onto the floor. This prevents sound from travelling under the door. To further increase the acoustic performance, QbiQ has glass and closed doors with a double gap seal.

Finally: the thickness of the door compared to the thickness of the wall influences the aesthetic image. When the glass or closed panels of the wall run in line with the glass or closed panel in the framed door, this creates peace in the interior.

QbiQ has the perfect door for every wall.

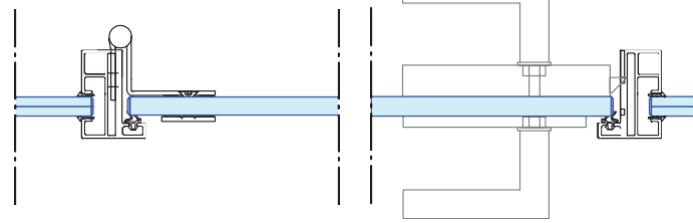


Doors

HG12 + DK58

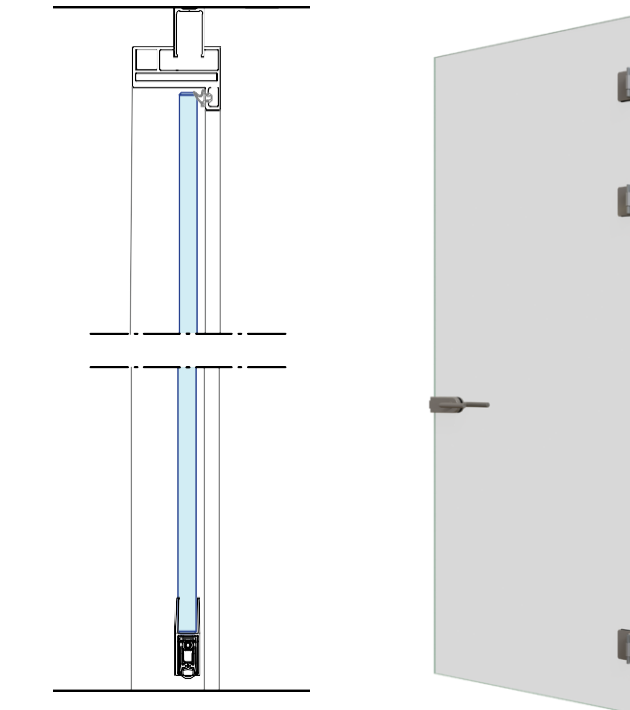
Tempered glass door HG12 with frame DK58.

- 12 mm tempered glass.
- Good sound values.
- Rubber seal.
- Seal drop.
- Glass also available in 10 mm.



HG12 - DK58 horizontal section hinge side

HG12 - DK58 horizontal section lock side



HG12 - DK58 vertical section

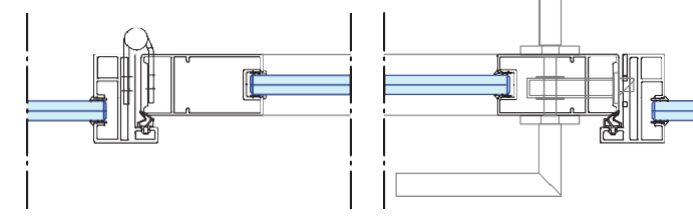


Doors

KDEC + DK58

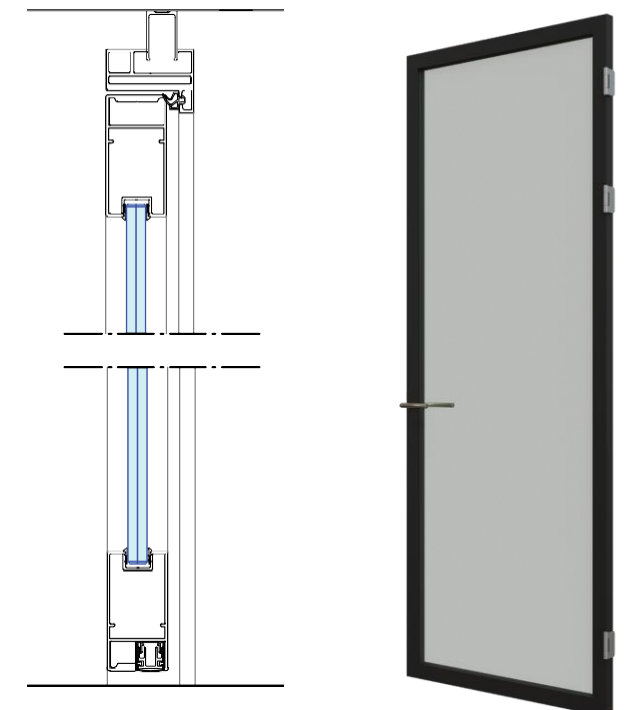
Framed door KDEC equipped with single glass with frame DK58.

- Centrally positioned glass.
- High sound values.
- Laminated glass, 662 / 66a2.
- Rubber seal.
- Automatic seal drop.



KDEC - DK58 horizontal section hinge side

KDEC - DK58 horizontal section lock side

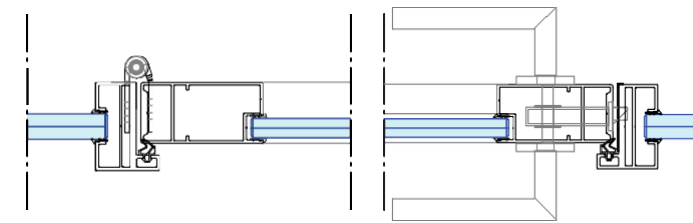


KDEC - DK58 vertical section

KDET + DK58-24

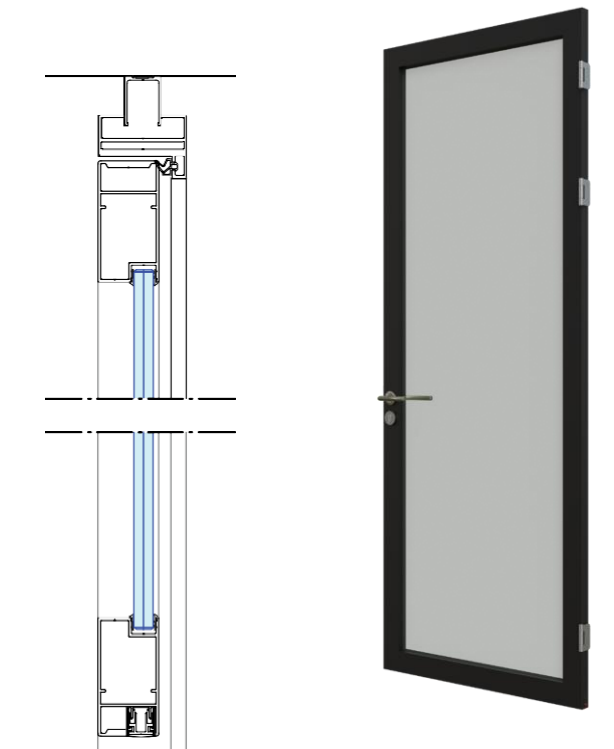
Framed door KDET with frame DK58-24.

- Eccentrically positioned glass.
- High sound values.
- Laminated glass, 6.6.2 / 6.6.a2.
- Rubber seal.
- Seal drop.



KDET - DK58-24 horizontal section hinge side

KDET - DK58-24 horizontal section lock side



KDET - DK5-24 vertical section

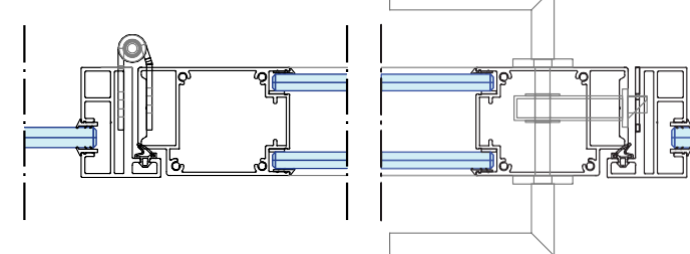


Doors

KDD57D + DK58

Framed door KDD57D with frame DK58.

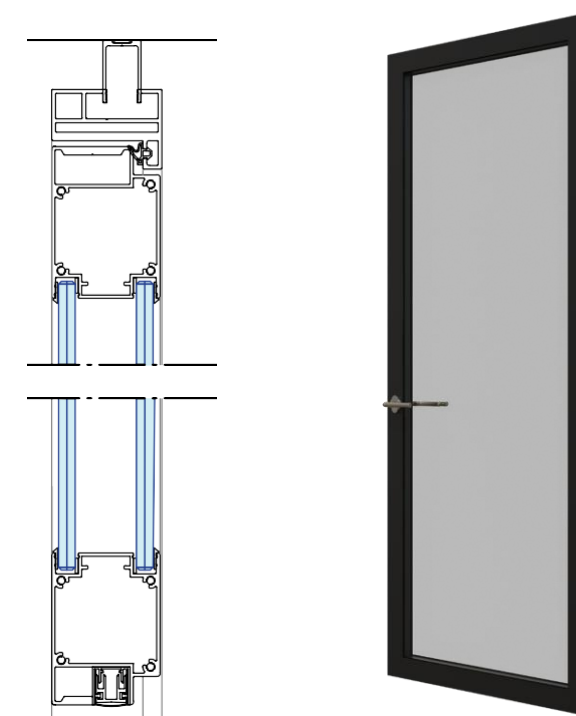
- Excellent sound values.
- 2x layered glass, 4.4.2 / 4.4.a2.
- Rubber seal.
- Seal drop.



KDD57D - DK58 horizontal section hinge side

KDD57D - DK58 horizontal section lock side

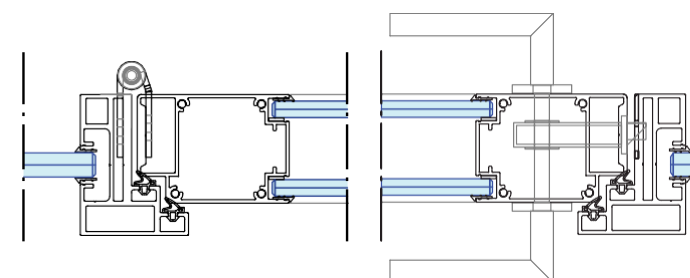
KDD57D - DK58 vertical section



KDD57D + DK74D

Framed door KDD57D with frame DK74D.

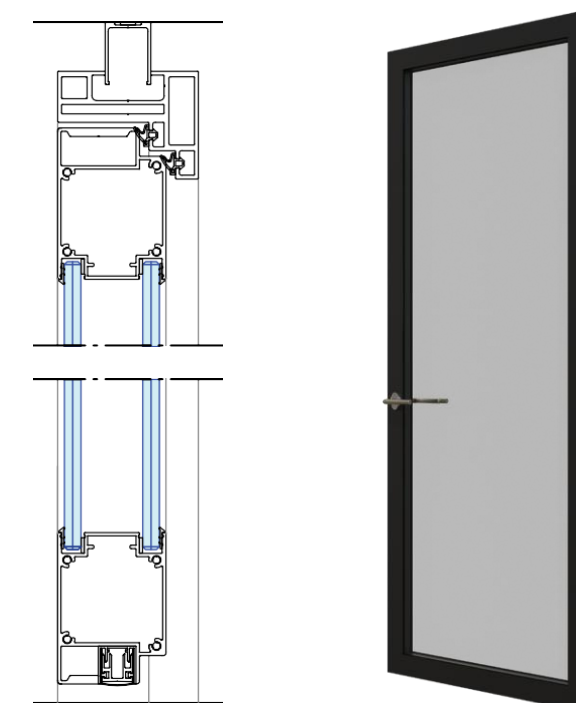
- Excellent sound values.
- 2x layered glass, 4.4.2 / 4.4.a2.
- Double Rubber seal.
- Seal drop.



KDD57D - DK74D horizontal section hinge side

KDD57D - DK74D horizontal section lock side

KDD57D - DK74D vertical section



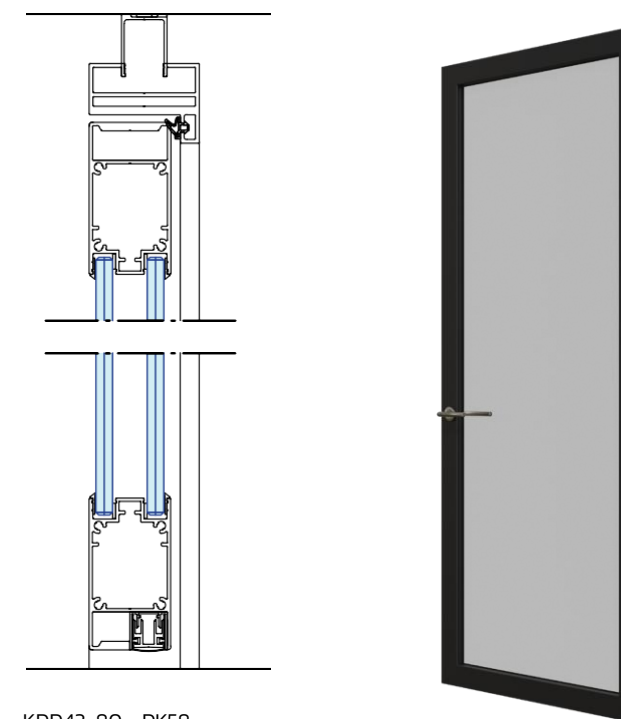


Doors

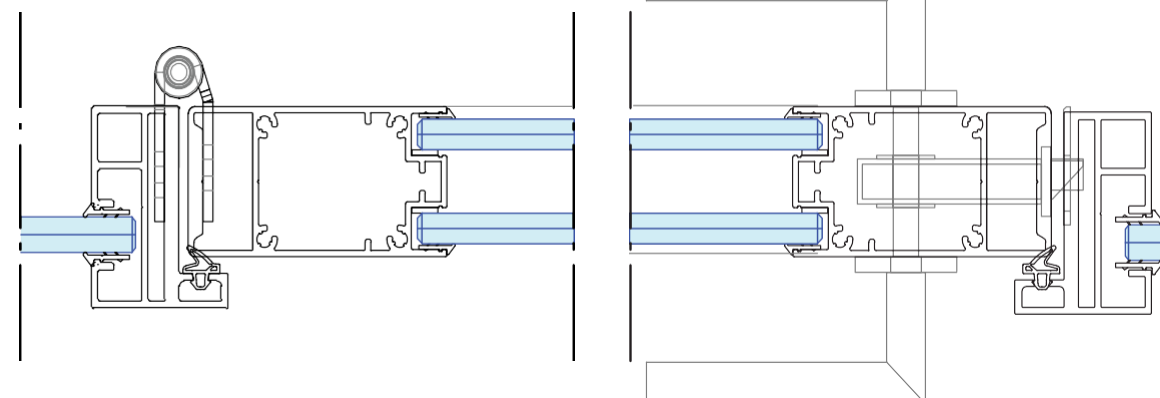
KDD43-80 + DK58

Framed door with double glazing frame.

- High sound values.
- 2x layered glass, 4.4.2 / 4.4.a2.
- Rubber seal.
- Seal drop.



KDD43-80 - DK58
vertical section



KDD43-80 - DK58 horizontal
section hinge side

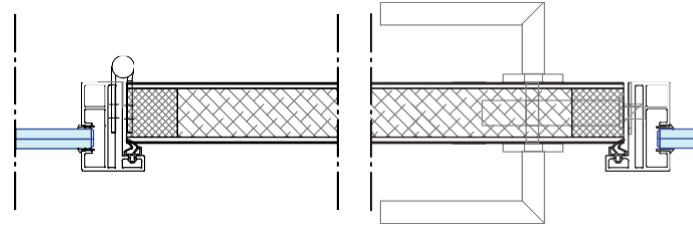
KDD43-80 - DK58 horizontal
section lock side

Doors

HPL40 + DK58

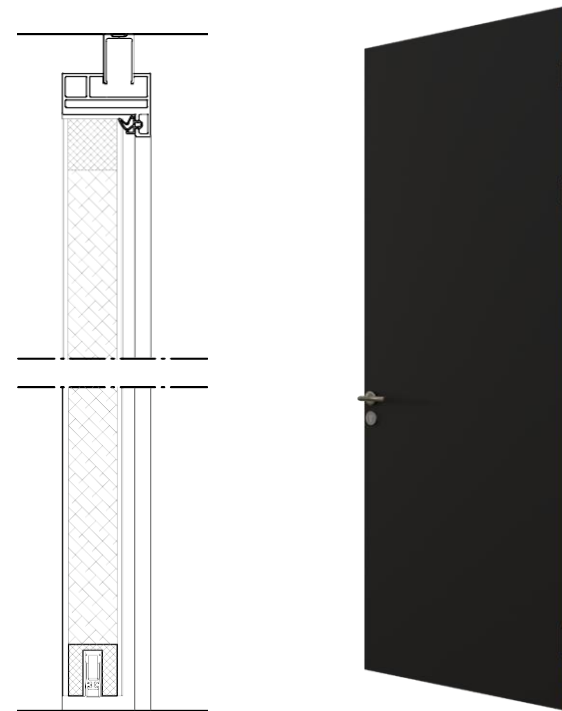
40 mm (1.56") solid HPL door with frame DK58.

- Good sound values.
- Color and motif of your choice.
- Rubber seal.
- Seal drop.



HPL40 - DK58 horizontal section hinge side

HPL40 - DK58 horizontal section lock side

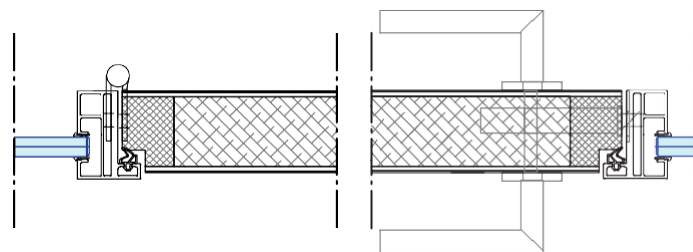


HPL40 - DK58 vertical section

HPL54 + DK58

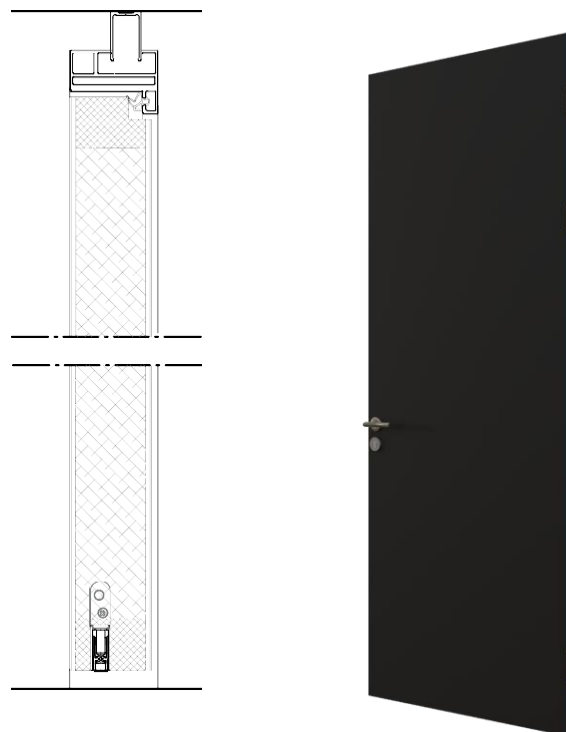
54 mm (2.12") solid HPL door with frame DK58.

- High sound values.
- Color and motif of your choice.
- Rubber seal.
- Seal drop.



HPL54 - DK58 horizontal section hinge side

HPL54 - DK58 horizontal section lock side



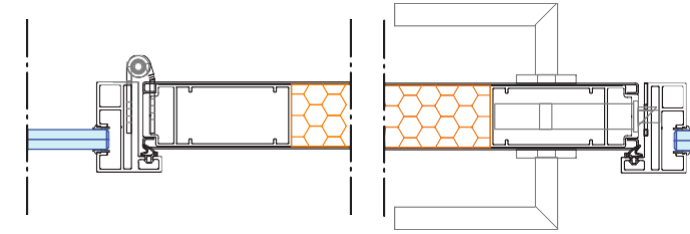
HPL54 - DK58 vertical section

Doors

KDS + DK58

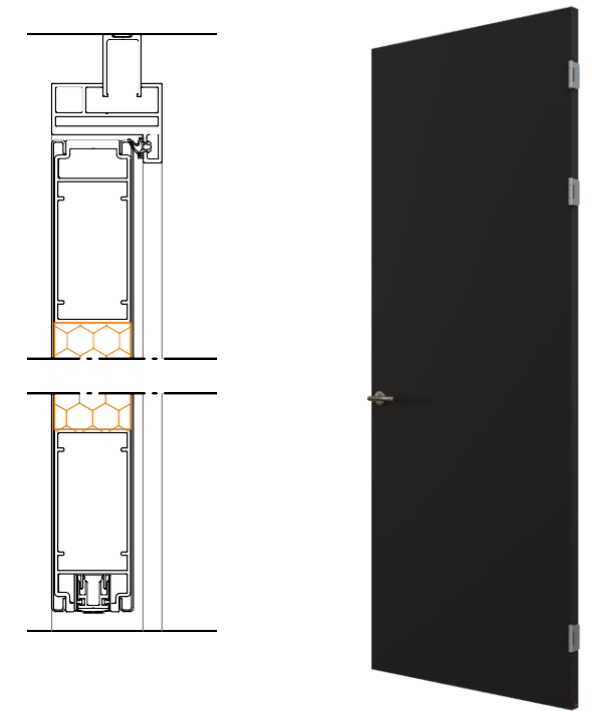
Solid Framed door KDS with steel cladding and frame DK58.

- Excellent sound values.
- 2x 1 mm steel plate.
- Rubber seal.
- Seal drop.



KDS - DK58 horizontal section hinge side

KDS - DK58 horizontal section lock side



KDS - DK58 vertical section



Synergy with 33 mm (1.30") profile height

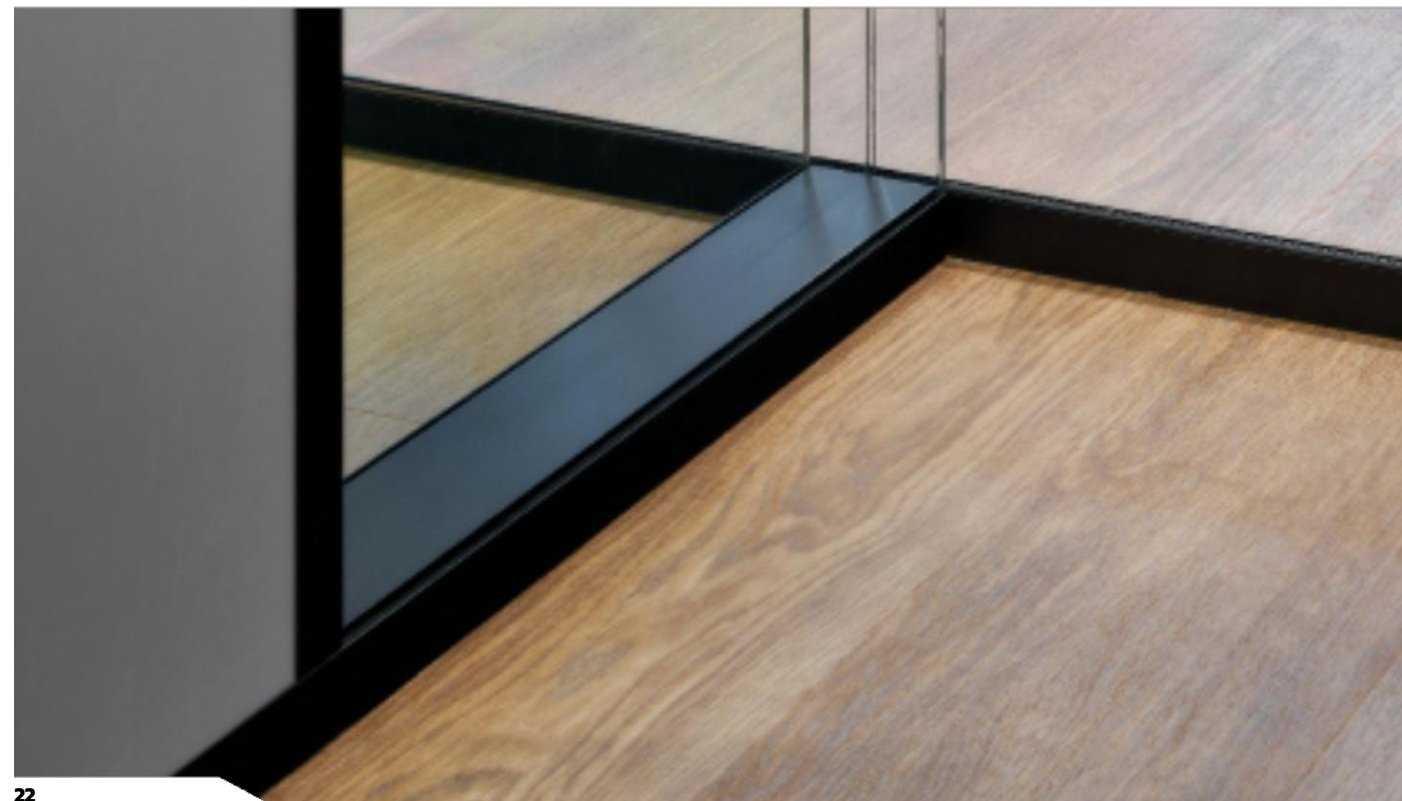
One important characteristic of the QbiQ system walls is the profiling, which in appearance has a height of only 33 mm. Floor, wall and ceiling profiles are identical in appearance all around. The use of these minimalist profiles enhances the feeling of transparency.

Synergy

The 33 mm profile has been consistently implemented in all QbiQ wall systems. This allows different types of QbiQ (glass) walls to be easily combined with optimal synergy. An almost magical connection is created where different wall types meet. The flat skirting board (not recessed) creates seamless profile connections, which contributes to the acoustic performance. Whether this concerns a T-, corner or frame connection; QbiQ always makes the optimal connection between different wall types.

Closed partition walls

The flat profiles with a height of 33 mm are also used in closed wall systems. As a result the profiles of the closed and glass panels in a wall merge into each other, which enhances the aesthetic image and also improves the acoustic performance.



Design support

Designing a project or furnishing a space can be a challenging task. The aesthetic wishes of the architect must be combined with the sound insulation and absorption requirements: "What about the dB value in a practical situation?" And then you have to meet all the fire and/or smoke resistance requirements; How is the fire consultant's report translated into the use of correct, certified materials? And after that, you can see there are multiple solutions that meet the requirements. This is why we offer the "iQ Atelier" for all our QbiQ wall systems. We offer a personal meeting in which you will receive all the advice you need to optimise your design at every stage of the process.

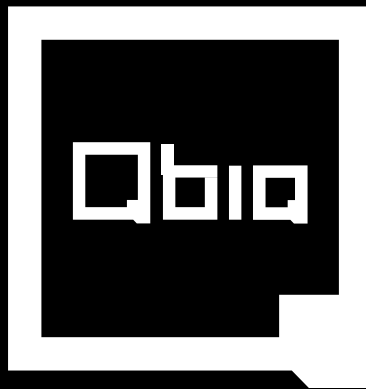
BIM

In addition to making the details of the QbiQ profiles and connections available (both in 2D and in the form of BIM objects), we provide the correct certificates, sampling and mock-ups that support you in your meetings with advisors and clients. Whether you are an architect, interior designer, construction partner, facility manager or end user, our team is ready to support you. We listen to your wishes, look at the specifications, and offer creative solutions that fit perfectly. This is what our wall systems are ideally suited for.

Please contact us.



design-support@qbiq.nl



Wall Systems

QbiQ bv | Hoorn 234 | 2404 HK Alphen aan den Rijn | Netherlands
T: +31 88 50 10 500 | E: info@qbiq.nl | W: www.qbiq.nl

